



Trusted Sharing of Big Data Assets in Cooperative Working Groups

PRPv2 workshop Feb 21st 2017
Calit2/QI at UC San Diego

Leon Gommans, Ph.D

Science Officer

Air France – KLM Group IT Technology Office R&D

Guest Researcher, University of Amsterdam FNWI- SNE group.



PACIFIC RESEARCH
PLATFORM

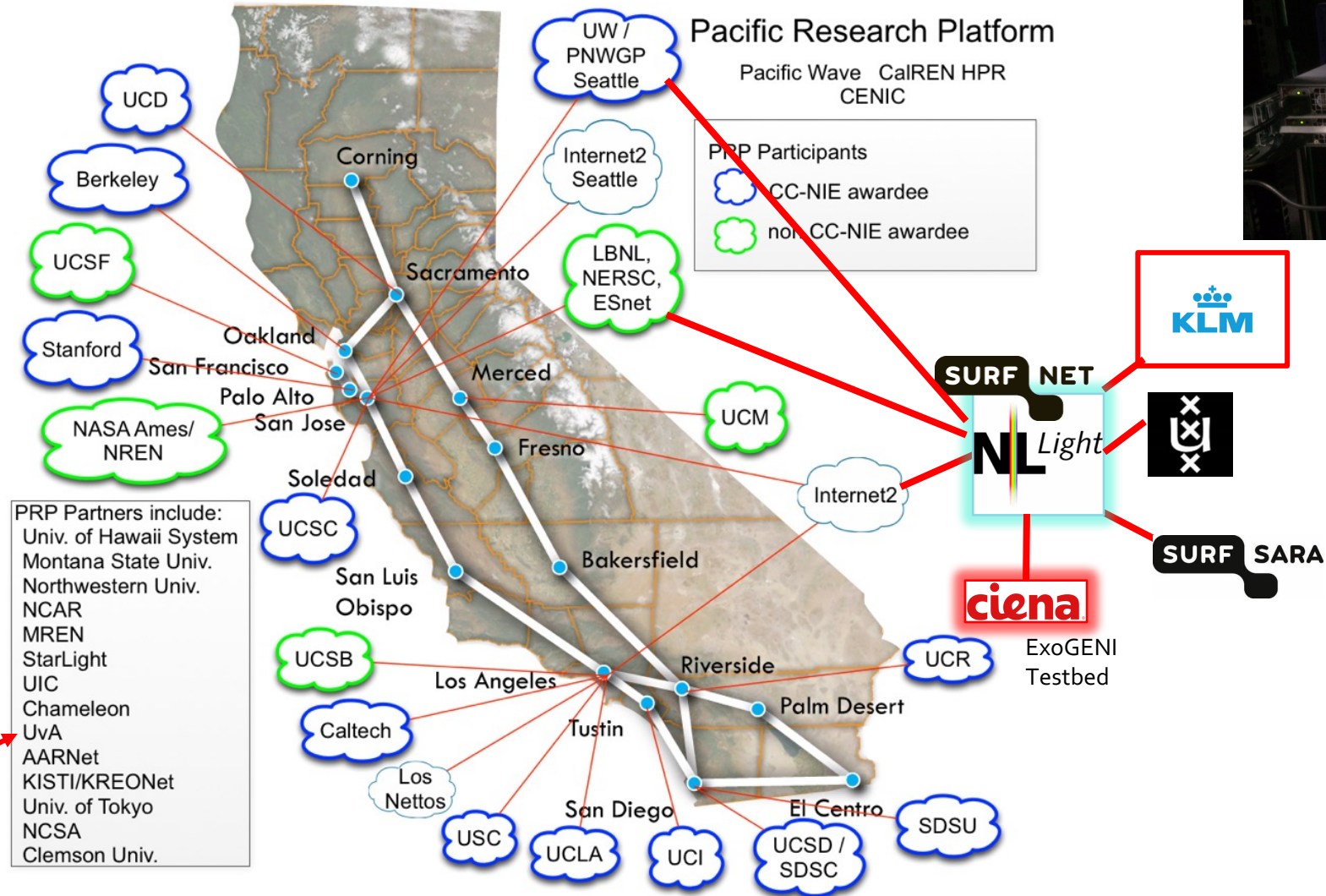


SNE System and Network Engineering

AIR FRANCE KLM

UvA/KLM and Pacific Research Platform Testbed

Research goal:
Explore value of
academic
network research
enabling
big data sharing



Thanks to
UvA, SURFnet
and Ciena



Note: this diagram represents a subset of sites and connections.

v1.16 - 20151019

Problem: Big Data Sharing in B2B environments



Sharing Big Data Assets needs:



Clearly defined and agreed common benefit



Established common rules governing use, access **AND** benefit sharing.



Organizing trust amongst group members as means to reduce risk



Infrastructure supporting implementation of trust

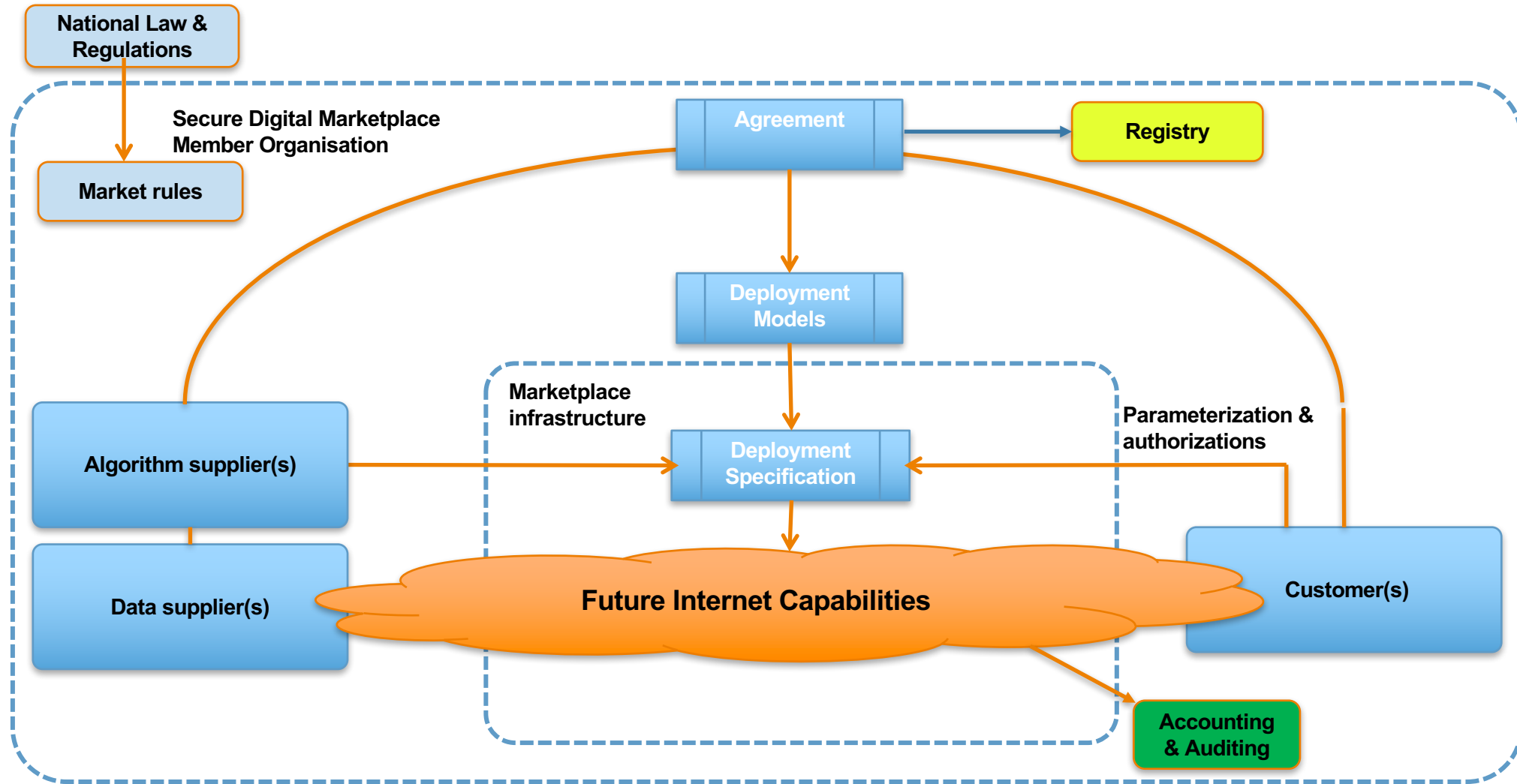


Secure Digital Market Place allowing community members to share data according to market rules.

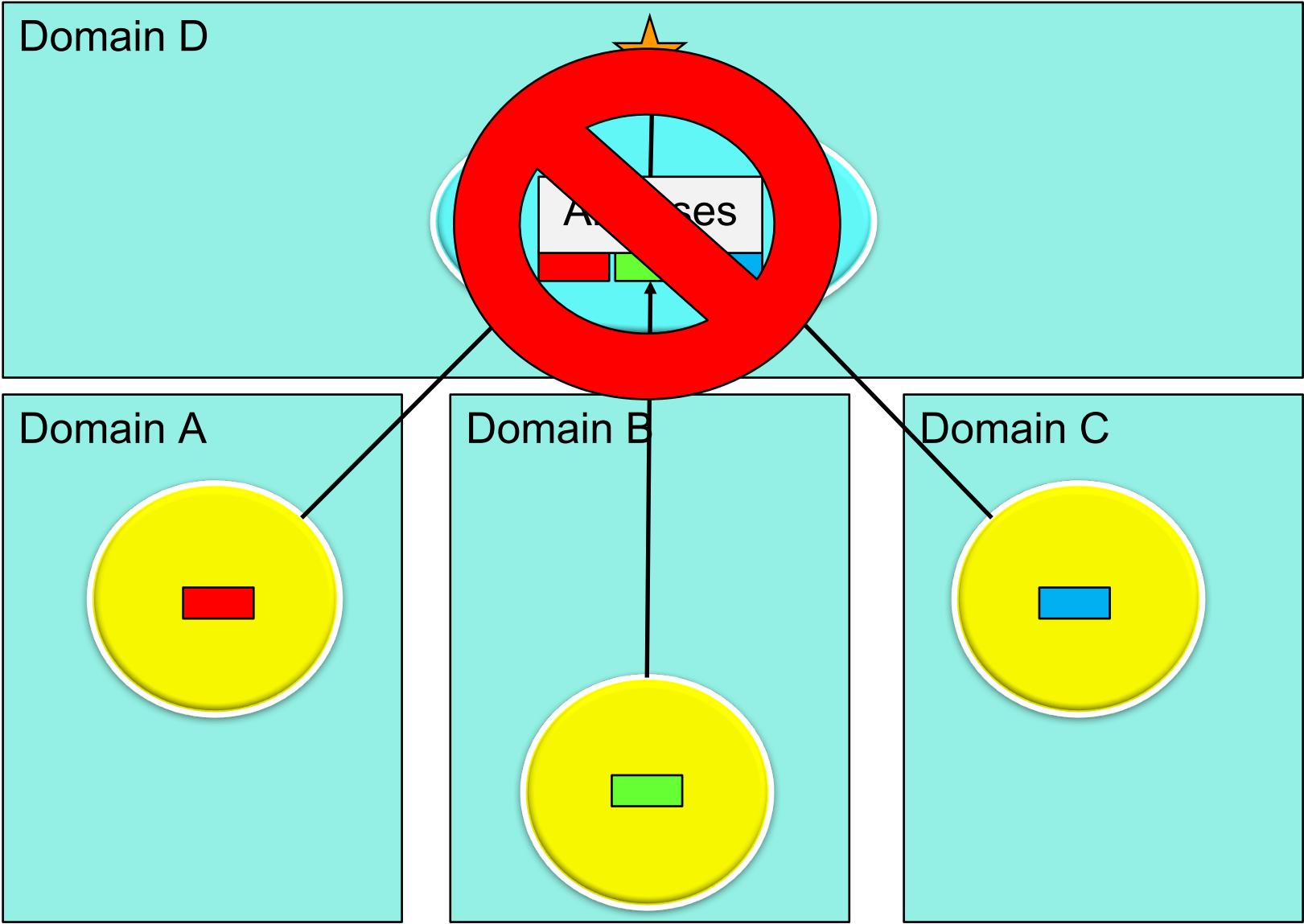
- Digital Market Place (DMP) is a member organization as **independent legal entity**.
- Goal of the DMP is to **organize trust between members** wanting to gain a particular common benefit no single member can gain on its own.
- Members of the DMP can be a supplier or consumer of data or both.
- All members have **equal rights** within a DMP
- DMP is **governed by a board of members** in which all members participate
- DMP establishes a regulation consisting of **market rules and the admission requirements**
- DMP appoints a **market master** in charge of market operations
- DMP establishes a regulation for **conflict** settlement
- DMP appoints an **adjudication committee**
- Members can obtain rights (licenses) from the DMP within the framework of the DMP regulation to act in a particular defined market role.
- **What elements of the DMP can be digitized?**



Secure Digital Market Place architectural sketch



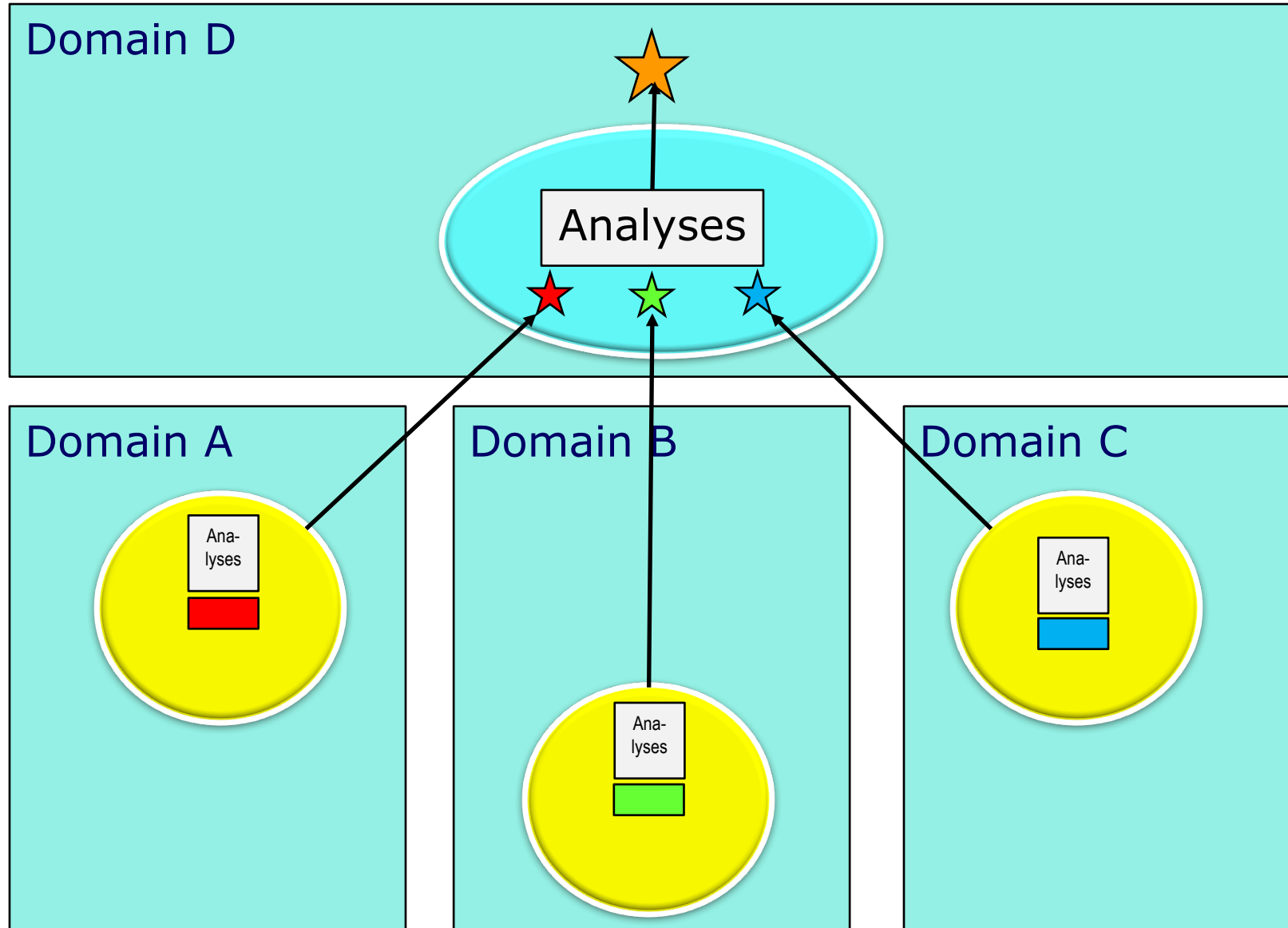
Traditional Data Sharing model.



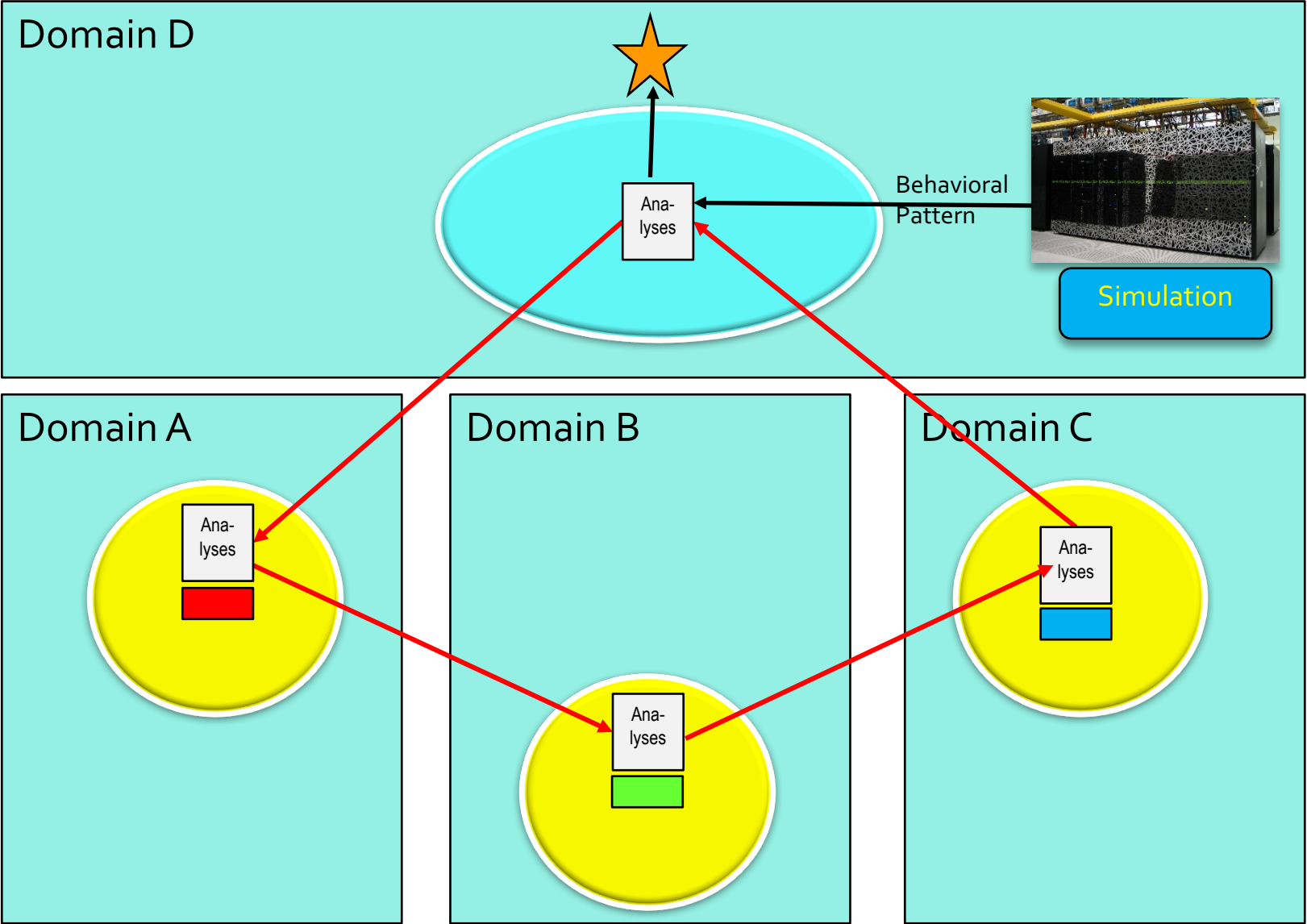
Domain = Autonomous Organization with own administration and enforcement



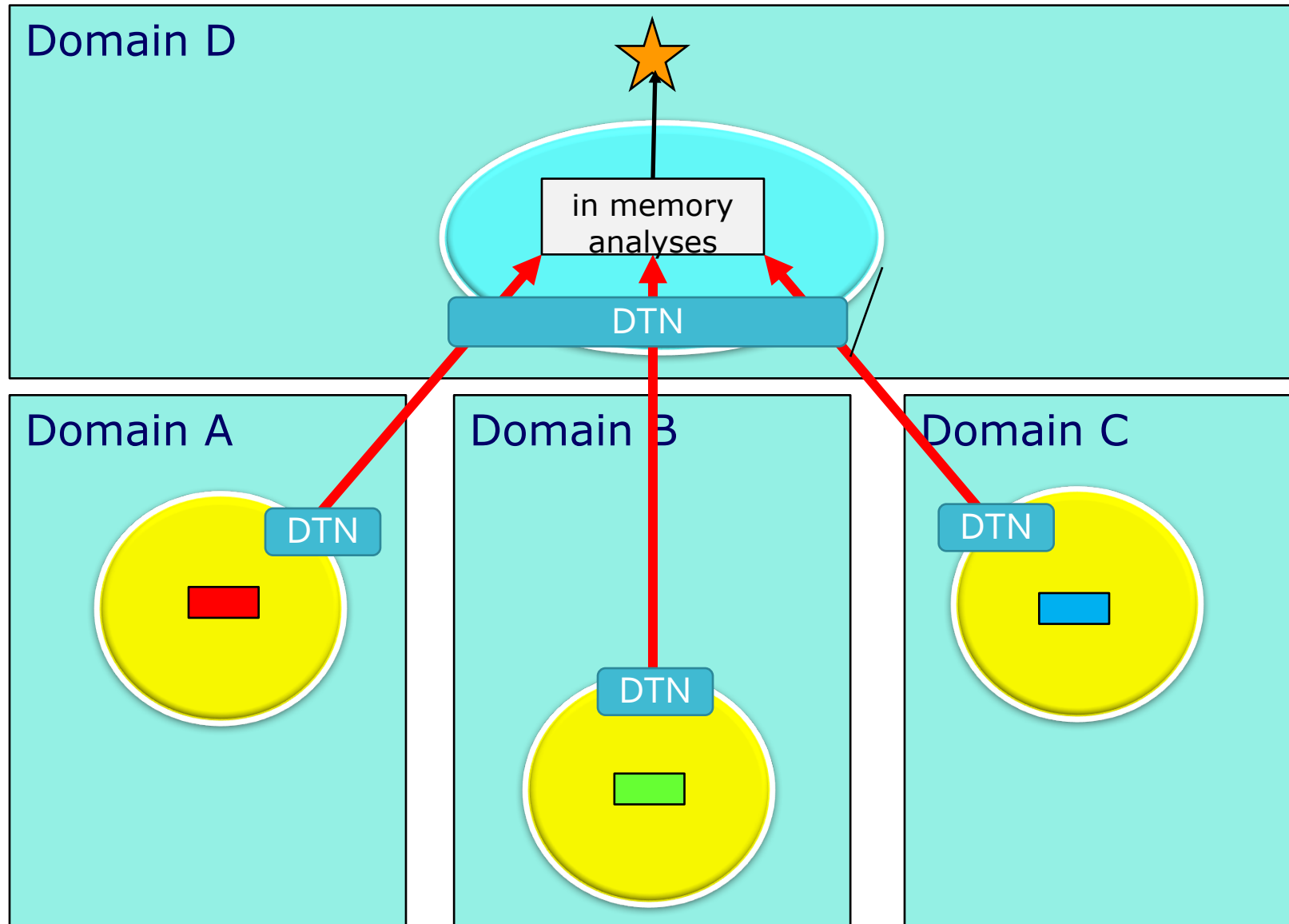
Bring processing to the data.



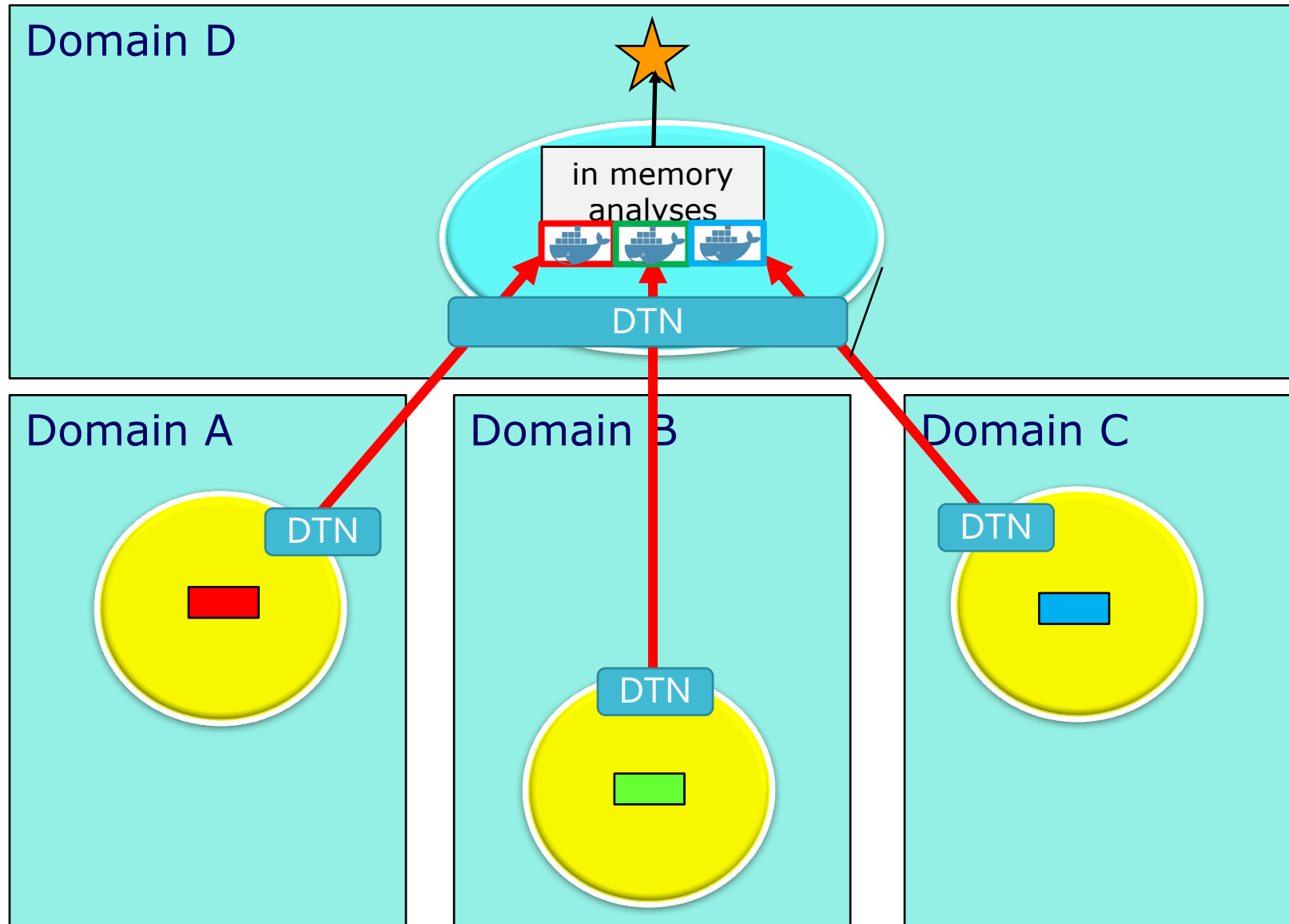
Turntable to perform pattern searches



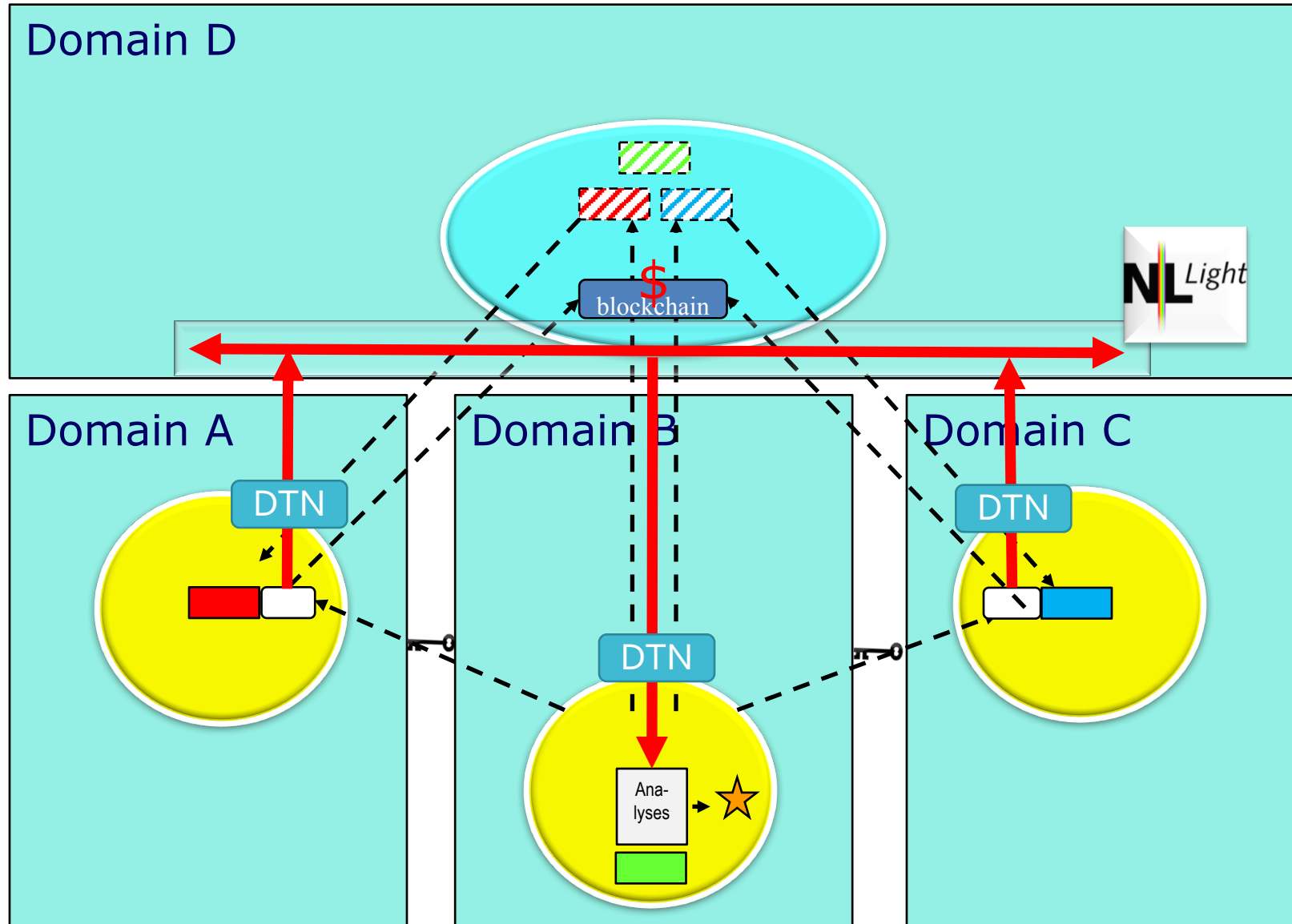
Separating data from compute via high performance links.



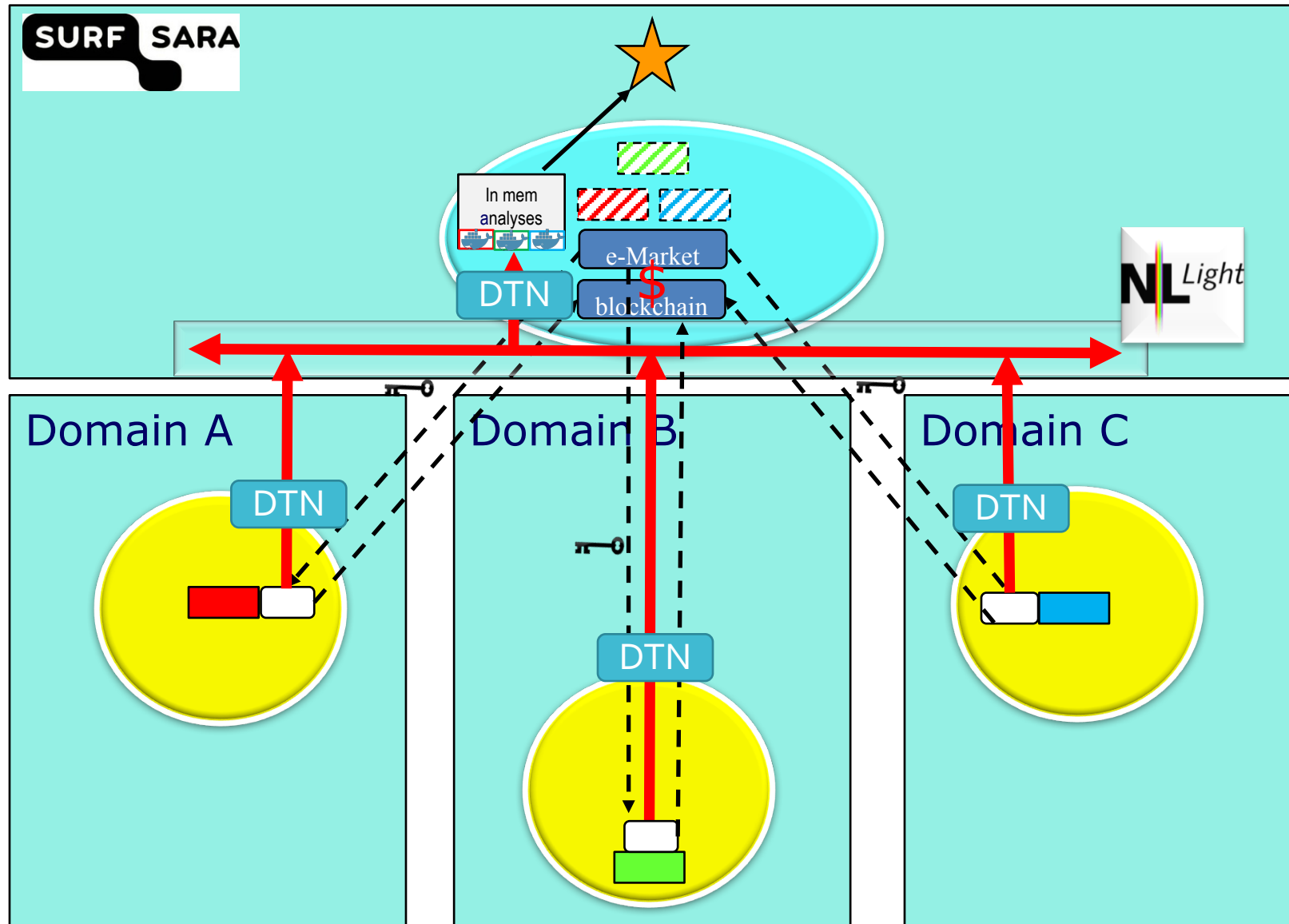
“Bring Your Own Container” reading its data via a HP links.



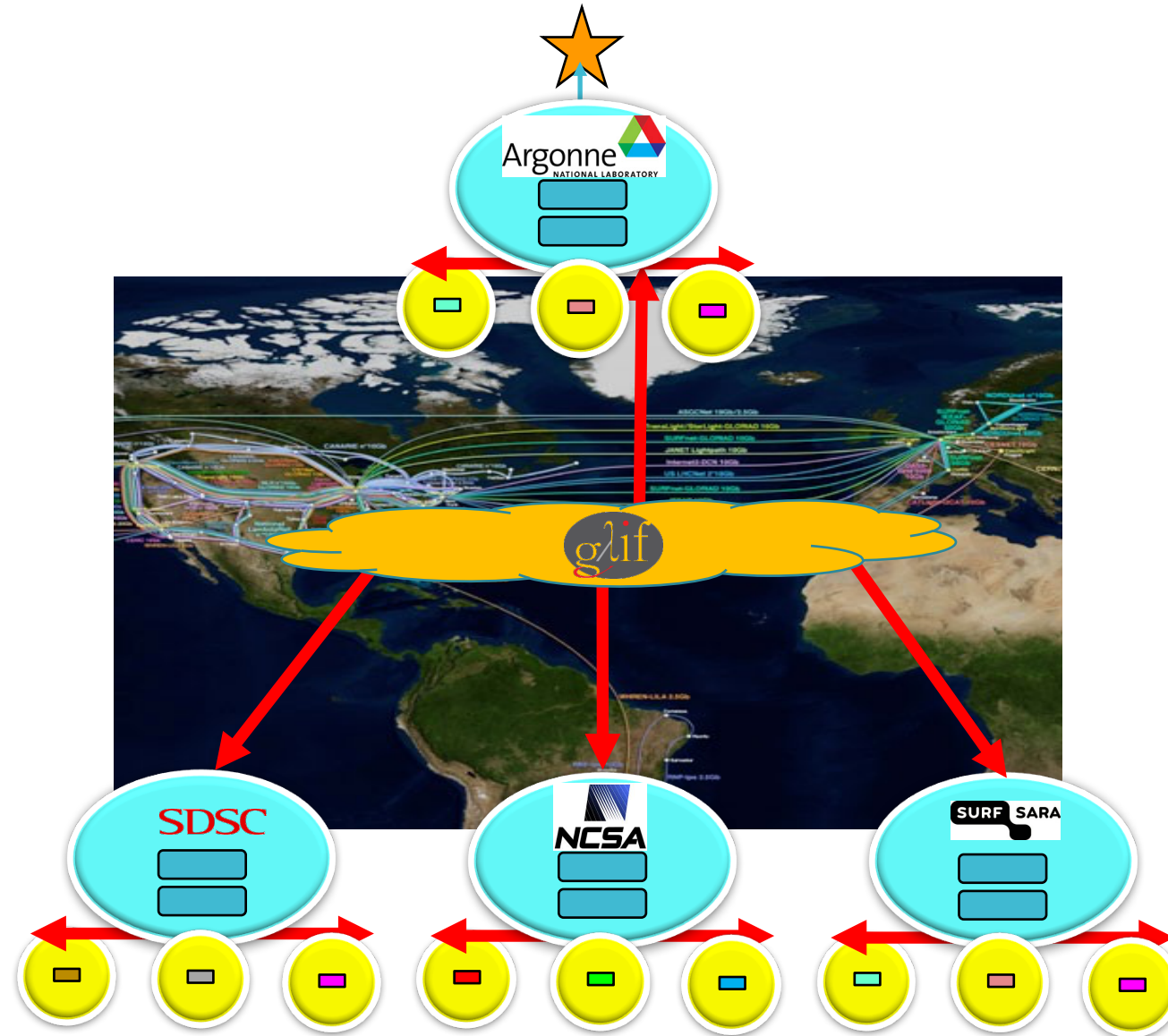
Data sharing using lightpath hub and access control



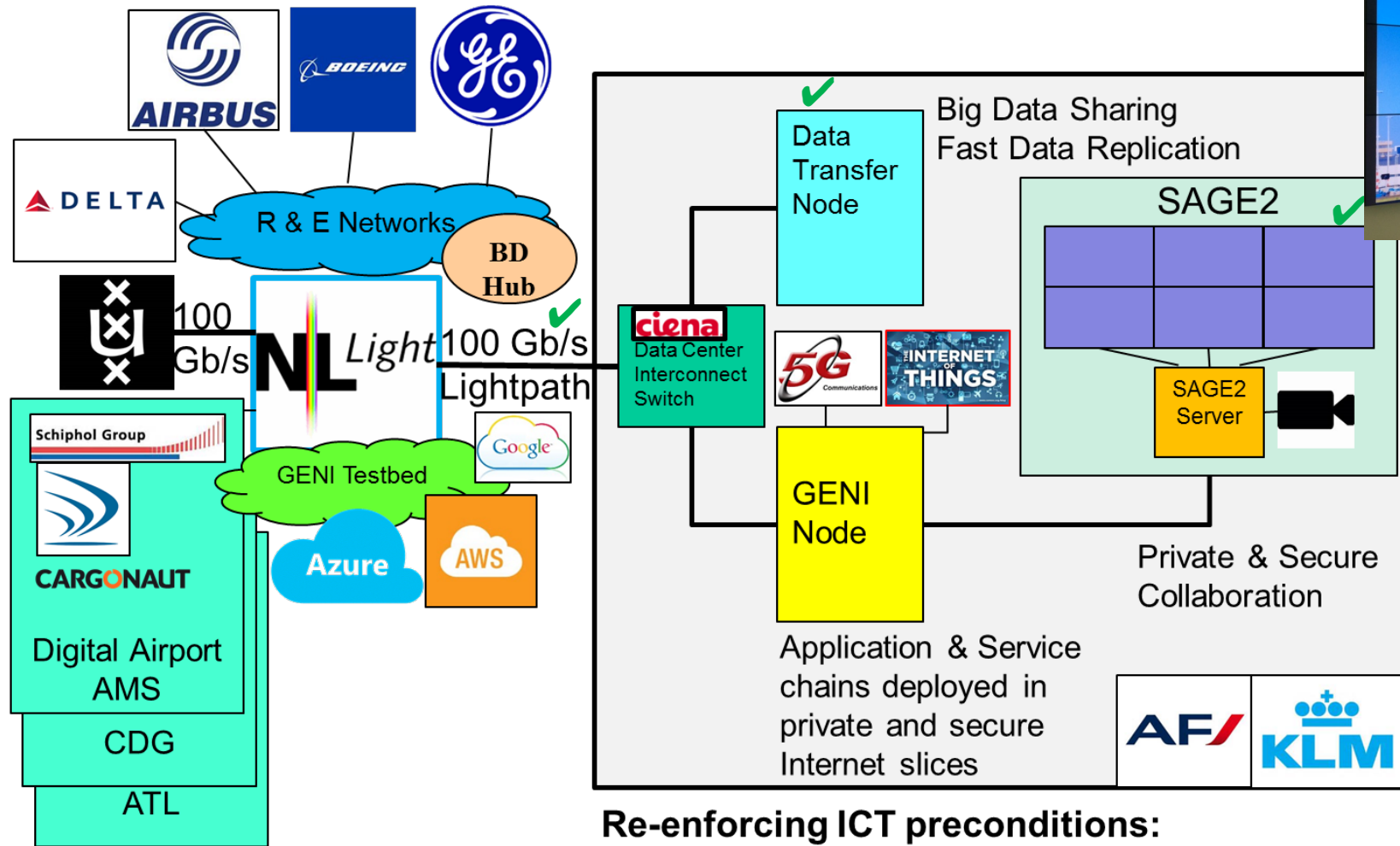
Digital Market Place model.



Experiments at global scale using existing e-Infrastructure



Ambition: AF/KL Future Internet Field Lab



Re-enforcing ICT preconditions:
Each envisaged site has similar elements

Acknowledgements

UvA: Cees de Laat, Tom van Engers, Paola Grosso, Gleb Polevoy, Ralph Koning, Ameneh Deljoo, Ben de Graaff, Lukasz Makowski.

Leiden University: Thomas Baeck

TNO: Robert Meijer, Frank Fransen,

NIKHEF: Tristan Suerink

Ciena: Rodney Wilson, Marc Lyonais

SURFnet: Erik Huizer, Gerben van Malenstein

SURFsara: Anwar Osseyran, Axel Berg, Paul Melis, Maurice Bouwhuis



Universiteit
Leiden



TNO innovation
for life

ciena

SURF NET



Funding research projects:

NWO: SARNET

COMMIT/: SARNET Alliance

NWO/STW: CIMPLO



COMMIT/

Email: [leon.gommans \(at\) klm.com](mailto:leon.gommans@klm.com)



System and Network Engineering

AIR FRANCE KLM